

**Lernzielkontrolle 3A** Seite 1

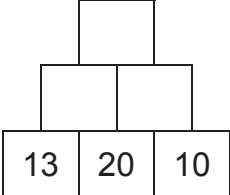
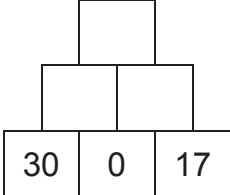
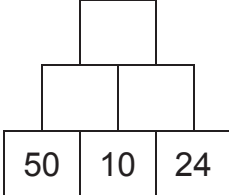
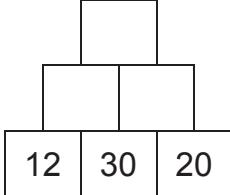
erreichte Punktzahl: \_\_\_\_\_

<b>1</b>	$23 + 5 = \underline{\quad}$	$27 + 2 = \underline{\quad}$	$32 + 4 = \underline{\quad}$	$25 + 5 = \underline{\quad}$
	$31 + 7 = \underline{\quad}$	$42 + 6 = \underline{\quad}$	$64 + 1 = \underline{\quad}$	$98 + 2 = \underline{\quad}$
	$57 + 2 = \underline{\quad}$	$53 + 4 = \underline{\quad}$	$48 + 0 = \underline{\quad}$	$76 + 4 = \underline{\quad}$

**2** Ergänze zum nächsten Zehner.

$28 + \underline{\quad} = 30$	$92 + \underline{\quad} = 100$	$27 + \underline{\quad} = \underline{\quad}$	$64 + \underline{\quad} = \underline{\quad}$
$50 + \underline{\quad} = 50$	$48 + \underline{\quad} = 50$	$14 + \underline{\quad} = \underline{\quad}$	$98 + \underline{\quad} = \underline{\quad}$
$17 + \underline{\quad} = 20$	$65 + \underline{\quad} = 70$	$55 + \underline{\quad} = \underline{\quad}$	$12 + \underline{\quad} = \underline{\quad}$

<b>3</b>	$23 + 8 = \underline{\quad}$	$27 + 9 = \underline{\quad}$	$32 + 8 = \underline{\quad}$	$25 + 5 = \underline{\quad}$
	$31 + 10 = \underline{\quad}$	$42 + 9 = \underline{\quad}$	$64 + 7 = \underline{\quad}$	$93 + 7 = \underline{\quad}$
	$57 + 5 = \underline{\quad}$	$53 + 9 = \underline{\quad}$	$48 + 6 = \underline{\quad}$	$76 + 5 = \underline{\quad}$

<b>4</b>				
----------	---	---	--	---

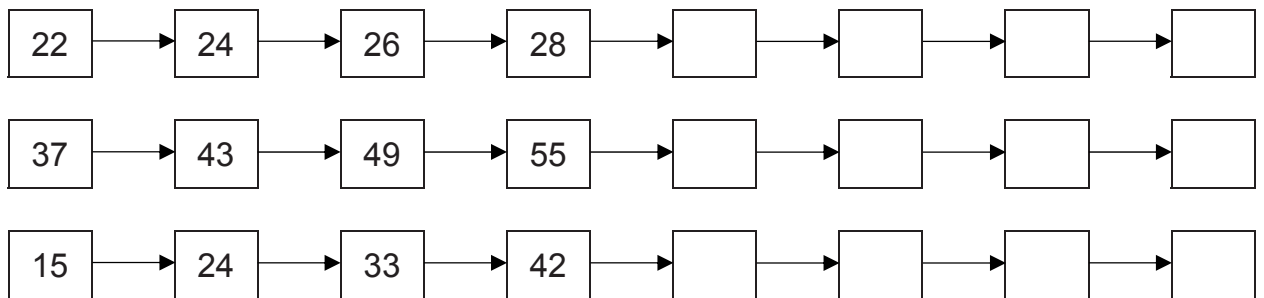
<b>5</b>	$51 + 5 = \underline{\quad}$	$23 + 4 = \underline{\quad}$	$18 + 18 = \underline{\quad}$
	$52 + 10 = \underline{\quad}$	$33 + 5 = \underline{\quad}$	$20 + 16 = \underline{\quad}$
	$53 + 15 = \underline{\quad}$	$43 + 6 = \underline{\quad}$	$22 + 14 = \underline{\quad}$
	$54 + \underline{\quad} = \underline{\quad}$	$53 + \underline{\quad} = \underline{\quad}$	$24 + \underline{\quad} = \underline{\quad}$
	$\underline{\quad} + \underline{\quad} = \underline{\quad}$	$\underline{\quad} + \underline{\quad} = \underline{\quad}$	$\underline{\quad} + \underline{\quad} = \underline{\quad}$
	$\underline{\quad} + \underline{\quad} = \underline{\quad}$	$\underline{\quad} + \underline{\quad} = \underline{\quad}$	$\underline{\quad} + \underline{\quad} = \underline{\quad}$
	$\underline{\quad} + \underline{\quad} = \underline{\quad}$	$\underline{\quad} + \underline{\quad} = \underline{\quad}$	$\underline{\quad} + \underline{\quad} = \underline{\quad}$

## Lernzielkontrolle 3A Seite 2

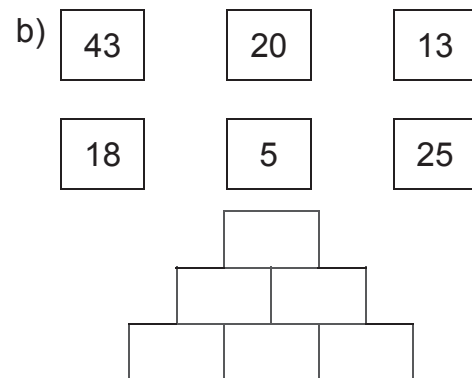
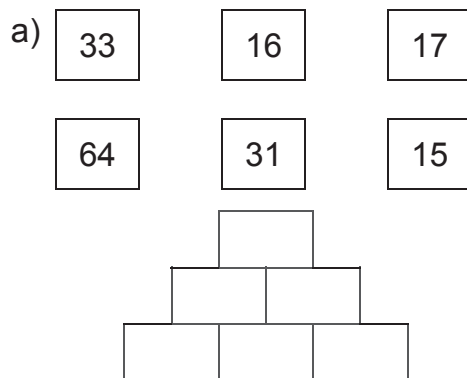
erreichte Punktzahl: \_\_\_\_\_

**6**  $23 + 23 = \underline{\quad}$        $53 + 27 = \underline{\quad}$        $78 + 22 = \underline{\quad}$        $75 + 16 = \underline{\quad}$   
 $26 + 57 = \underline{\quad}$        $17 + 19 = \underline{\quad}$        $63 + 15 = \underline{\quad}$        $42 + 29 = \underline{\quad}$   
 $65 + 27 = \underline{\quad}$        $45 + 34 = \underline{\quad}$        $51 + 15 = \underline{\quad}$        $23 + 32 = \underline{\quad}$

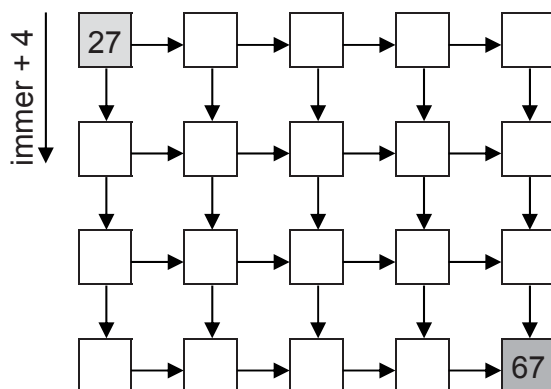
**7** Setze die Zahlenfolgen fort.



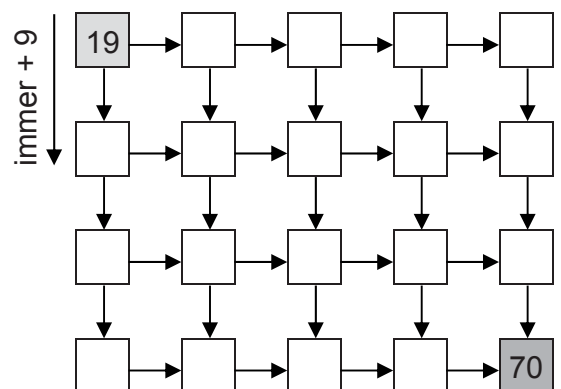
**8** Bilde Zahlenmauern.



**9** immer + 7



immer + 6



**Lernzielkontrolle 3B** Seite 1

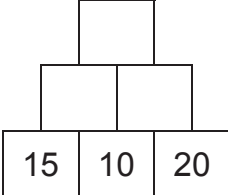
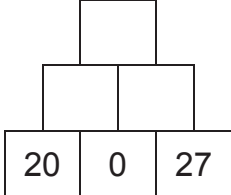
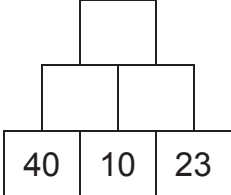
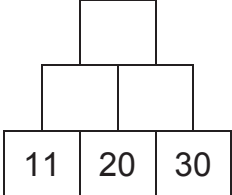
erreichte Punktzahl: \_\_\_\_\_

<b>1</b>	$24 + 5 = \underline{\quad}$	$22 + 2 = \underline{\quad}$	$31 + 4 = \underline{\quad}$	$35 + 5 = \underline{\quad}$
	$32 + 7 = \underline{\quad}$	$43 + 6 = \underline{\quad}$	$68 + 1 = \underline{\quad}$	$92 + 8 = \underline{\quad}$
	$54 + 2 = \underline{\quad}$	$55 + 4 = \underline{\quad}$	$42 + 0 = \underline{\quad}$	$74 + 6 = \underline{\quad}$

**2** Ergänze zum nächsten Zehner.

$29 + \underline{\quad} = 30$	$95 + \underline{\quad} = 100$	$23 + \underline{\quad} = \underline{\quad}$	$74 + \underline{\quad} = \underline{\quad}$
$50 + \underline{\quad} = 50$	$44 + \underline{\quad} = 50$	$17 + \underline{\quad} = \underline{\quad}$	$88 + \underline{\quad} = \underline{\quad}$
$16 + \underline{\quad} = 20$	$63 + \underline{\quad} = 70$	$65 + \underline{\quad} = \underline{\quad}$	$32 + \underline{\quad} = \underline{\quad}$

<b>3</b>	$26 + 8 = \underline{\quad}$	$24 + 9 = \underline{\quad}$	$42 + 8 = \underline{\quad}$	$45 + 5 = \underline{\quad}$
	$51 + 10 = \underline{\quad}$	$52 + 9 = \underline{\quad}$	$65 + 7 = \underline{\quad}$	$98 + 2 = \underline{\quad}$
	$57 + 6 = \underline{\quad}$	$63 + 9 = \underline{\quad}$	$48 + 7 = \underline{\quad}$	$86 + 5 = \underline{\quad}$

<b>4</b>				
----------	---	---	--	---

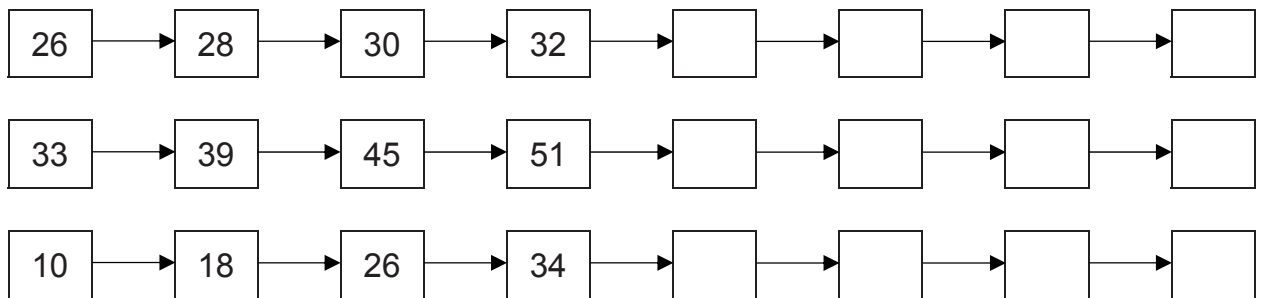
<b>5</b>	$41 + 5 = \underline{\quad}$	$13 + 4 = \underline{\quad}$	$19 + 19 = \underline{\quad}$
	$42 + 10 = \underline{\quad}$	$23 + 5 = \underline{\quad}$	$21 + 17 = \underline{\quad}$
	$43 + 15 = \underline{\quad}$	$33 + 6 = \underline{\quad}$	$23 + 15 = \underline{\quad}$
	$44 + \underline{\quad} = \underline{\quad}$	$43 + \underline{\quad} = \underline{\quad}$	$25 + \underline{\quad} = \underline{\quad}$
	$\underline{\quad} + \underline{\quad} = \underline{\quad}$	$\underline{\quad} + \underline{\quad} = \underline{\quad}$	$\underline{\quad} + \underline{\quad} = \underline{\quad}$
	$\underline{\quad} + \underline{\quad} = \underline{\quad}$	$\underline{\quad} + \underline{\quad} = \underline{\quad}$	$\underline{\quad} + \underline{\quad} = \underline{\quad}$
	$\underline{\quad} + \underline{\quad} = \underline{\quad}$	$\underline{\quad} + \underline{\quad} = \underline{\quad}$	$\underline{\quad} + \underline{\quad} = \underline{\quad}$

## Lernzielkontrolle 3B Seite 2

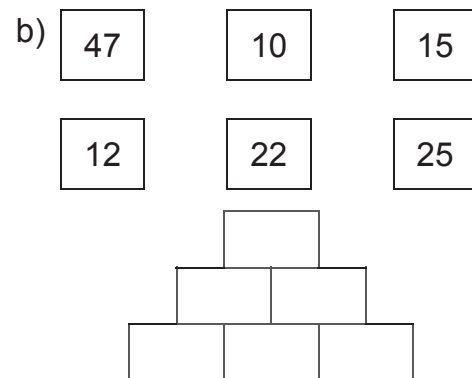
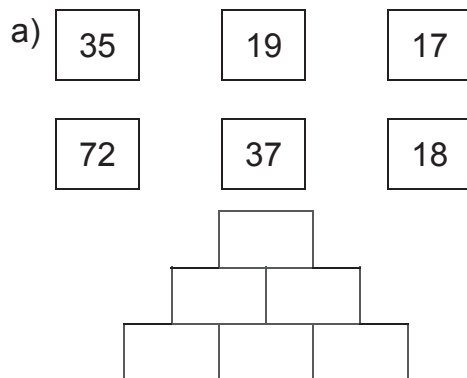
erreichte Punktzahl: \_\_\_\_\_

**6**  $26 + 26 = \underline{\quad}$        $48 + 27 = \underline{\quad}$        $51 + 22 = \underline{\quad}$        $35 + 16 = \underline{\quad}$   
 $18 + 57 = \underline{\quad}$        $18 + 19 = \underline{\quad}$        $42 + 19 = \underline{\quad}$        $78 + 22 = \underline{\quad}$   
 $23 + 28 = \underline{\quad}$        $47 + 34 = \underline{\quad}$        $56 + 15 = \underline{\quad}$        $17 + 71 = \underline{\quad}$

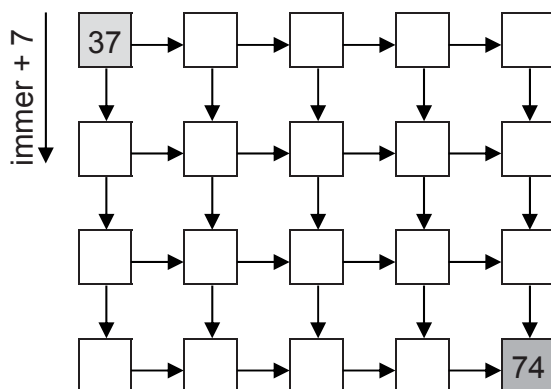
**7** Setze die Zahlenfolgen fort.



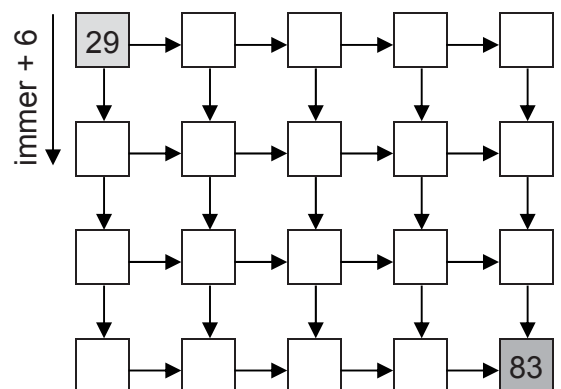
**8** Bilde Zahlenmauern.



**9** immer + 4



immer + 9



# Auswertungsbogen für Lernzielkontrolle 3

Kommentar/Förderbedarf																			
	<b>Gesamtpunktzahl</b>		<b>64</b>																
	<b>erreichte Punkte</b>		<b>16</b>																
Erhöhte Anforderungen																			
	<b>9</b>	Rechennetz lösen	<b>8</b>																
	<b>8</b>	Zahlenmauern durch Probieren bilden	<b>8</b>																
<b>erreichte Punkte</b>		<b>48</b>																	
Basisanforderungen	<b>7</b>	Zahlenfolgen fortsetzen	<b>9</b>																
	<b>6</b>	Additionsaufgaben mit Zehnerübergang lösen	<b>6</b>																
	<b>5</b>	Aufgabenrollen fortsetzen	<b>9</b>																
	<b>4</b>	Zahlenmauern mit Zehnerzahlen lösen	<b>6</b>																
	<b>3</b>	Additionsaufgaben mit Zehnerübergang lösen	<b>6</b>																
	<b>2</b>	Zum nächsten Zehner ergänzen	<b>6</b>																
	<b>1</b>	Additionsaufgaben ohne Zehnerübergang lösen	<b>6</b>																
Name																			